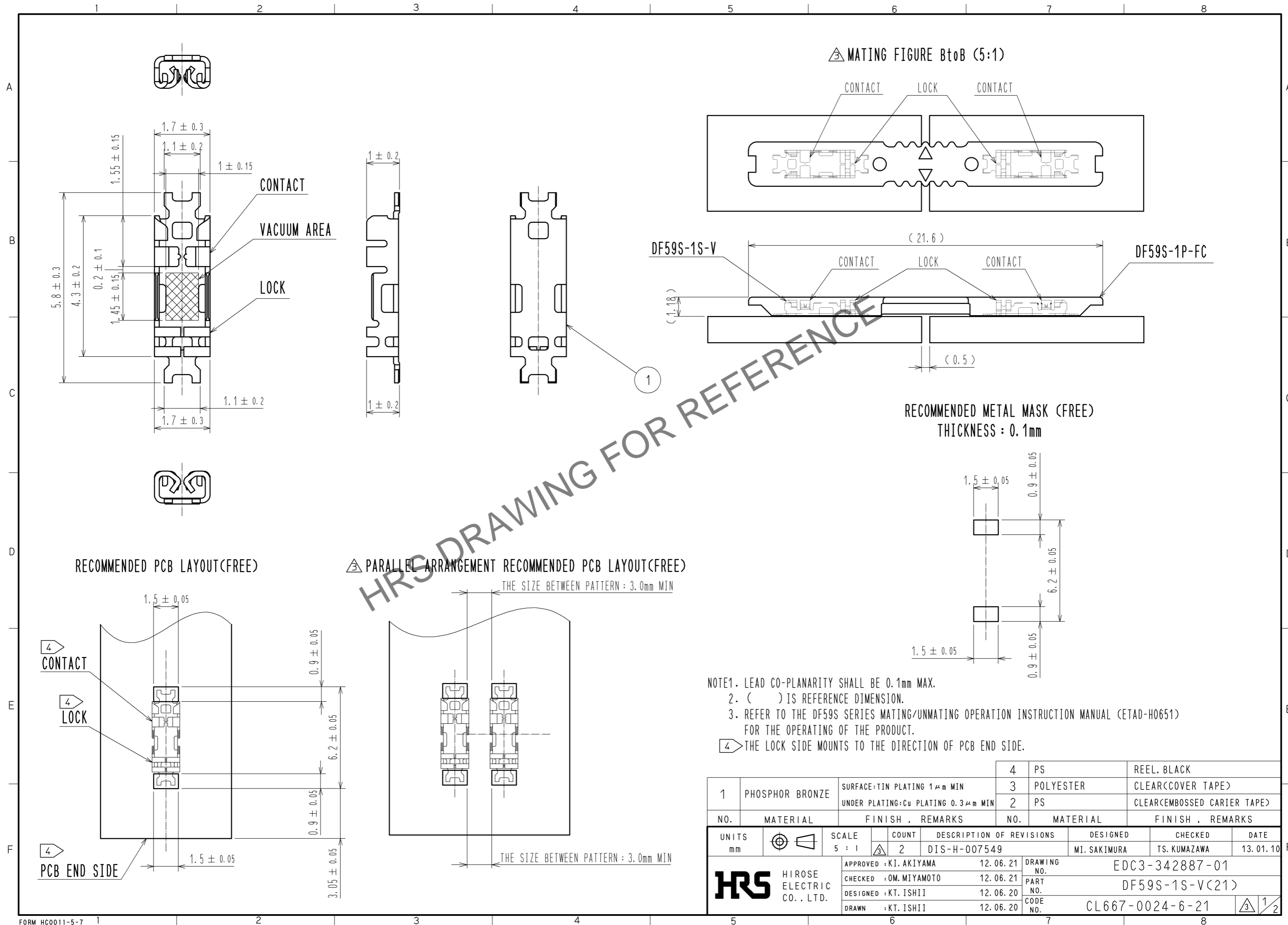
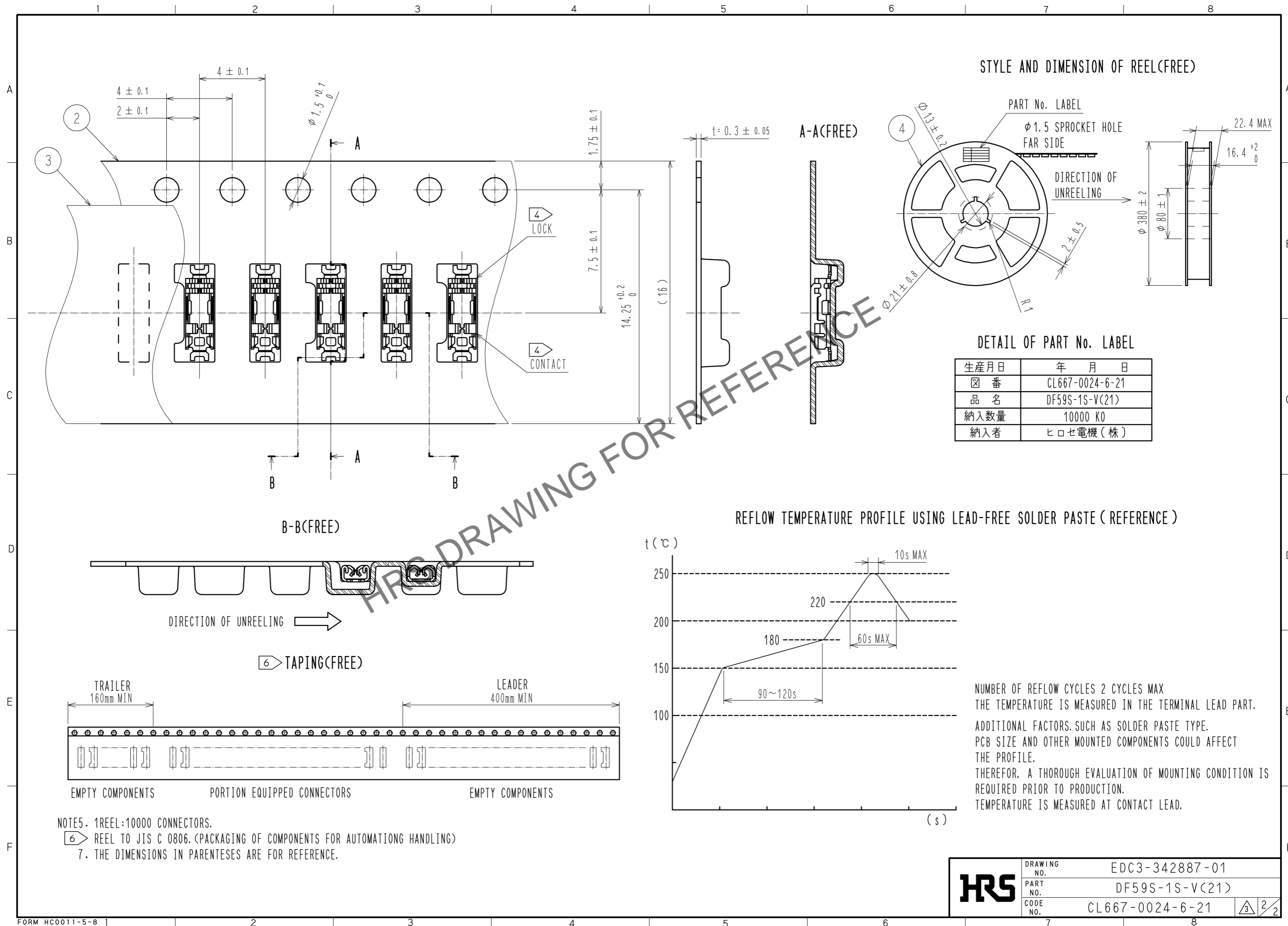


Apr.1.2024 Copyright 2024 HIROSE ELECTRIC CO., LTD. All Rights Reserved.  
In case of consideration for using Automotive equipment / device which demand high reliability, kindly contact our sales window correspondents.



1	PHOSPHOR BRONZE	SURFACE:TIN PLATING 1μm MIN UNDER PLATING:Cu PLATING 0.3μm MIN	4 PS 3 POLYESTER 2 PS	REEL. BLACK CLEAR(COVER TAPE) CLEAR(EMBOSSD CARRIER TAPE)				
NO.	MATERIAL	FINISH . REMARKS	NO.	MATERIAL	FINISH . REMARKS			
UNITS mm		SCALE 5 : 1	COUNT 2	DESCRIPTION OF REVISIONS		DESIGNED MI. SAKIMURA	CHECKED TS. KUMAZAWA	DATE 13.01.10
<b>HRS</b> HIROSE ELECTRIC CO., LTD.		APPROVED : KI. AKIYAMA 12.06.21	DRAWING NO. EDC3-342887-01		PART NO. DF59S-1S-V(21)		CODE NO. CL667-0024-6-21	
		CHECKED : OM. MIYAMOTO 12.06.21						
		DESIGNED : KT. ISHII 12.06.20						
		DRAWN : KT. ISHII 12.06.20						

Apr.1.2024 Copyright 2024 HIROSE ELECTRIC CO., LTD. All Rights Reserved.  
 In case of consideration for using Automotive equipment / device which demand high reliability, kindly contact our sales window correspondents.



<b>HRS</b>	DRAWING NO.	EDC3-342887-01
	PART NO.	DF59S-1S-V(21)
	CODE NO.	CL667-0024-6-21
		3/2